

HL9479 Resistive Power Divider (DC to 110 GHz)

Features and Technical Specifications

Bandwidth	DC to 110GHz
Insertion Loss (AC)	7 dB, DC < f ≤ 50 GHz
Maximum	8 dB, 50 < f ≤ 80 GHz
See Fig. 1	9 dB, 80 < f ≤ 110 GHz
Return Loss	15 dB, DC < f ≤ 50 GHz
Typical	12 dB, 50 < f ≤ 80 GHz
See Fig. 2	10 dB, 80 < f ≤ 110 GHz
Amplitude Match	± 0.3 dB, DC < f ≤ 50 GHz
Typical	± 0.5 dB, 50 < f ≤ 80 GHz
See Fig. 1	± 1.0 dB, 80 < f ≤ 110 GHz
Phase Match	± 5°, DC < f ≤ 50 GHz
Typical	± 10°, 50 < f ≤ 80 GHz
See Fig. 4	± 10°, 80 < f ≤ 110 GHz
Rise Time	3 ps
Insertion (Group) Delay	116 ps, all ports
See Fig. 3	
Max Input Power	20 dBm (24 dBm max) ¹
Impedance	50 Ω ± 5%
Connectors	1.0 mm, 3 x jack/female
Dimensions	1.139" x 0.99" x 0.463" 28.9 x 25.1 x 11.76 mm
See Fig. 5	
Weight	14 g, (0.49 oz.)
Temperature Limits	-40° to +50° C, operating
RoHS Compliant	Yes, assembled with lead-free solder
REACH Compliant	Yes
Warranty	1 year, see website

1 - Long-term power handling testing is ongoing. The preliminary specification is 20 dBm.

PRODUCT SUMMARY

The HL9479 is an ultra-broadband 6 dB power divider that provides outstanding amplitude- and phase-symmetrical power division from DC to beyond 110 GHz.

This product is designed using a three-resistor network resulting in outputs that are nominally attenuated to 6 dB, and all ports are impedance-matched to 50 Ohms when the ports are terminated.

They are suitable for use in 224 Gbps PAM4 communications systems, high-speed analog-to-digital conversion, frequency response testing for differential devices, and many other applications.

DEPLOYMENT NOTES

The ports of the HL9479 are symmetrical and the device can be used in any direction.

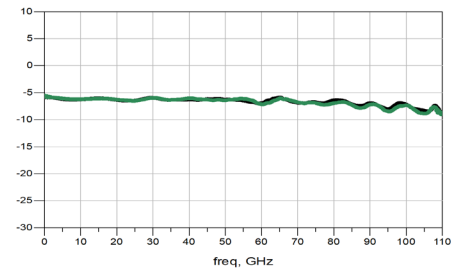
MODELS & OPTIONS

The following model is available:

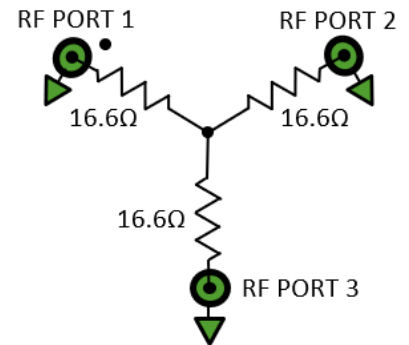
HL9479, 110 GHz



HL9479, similar model shown



Typical HL9479 Insertion Loss



HL9479 Schematic and Port Assignments

HL9479 Insertion and Return Loss

The HL9479 is matched to 50 Ω on all ports. Port 1 is specified with a dot on the label, and Ports 2 and 3 are matched.

Figure 1 shows the HL9479 insertion loss and amplitude match on Ports 2-3 to 110 GHz. Figure 2 shows return loss on all three ports of the same device to 110 GHz.

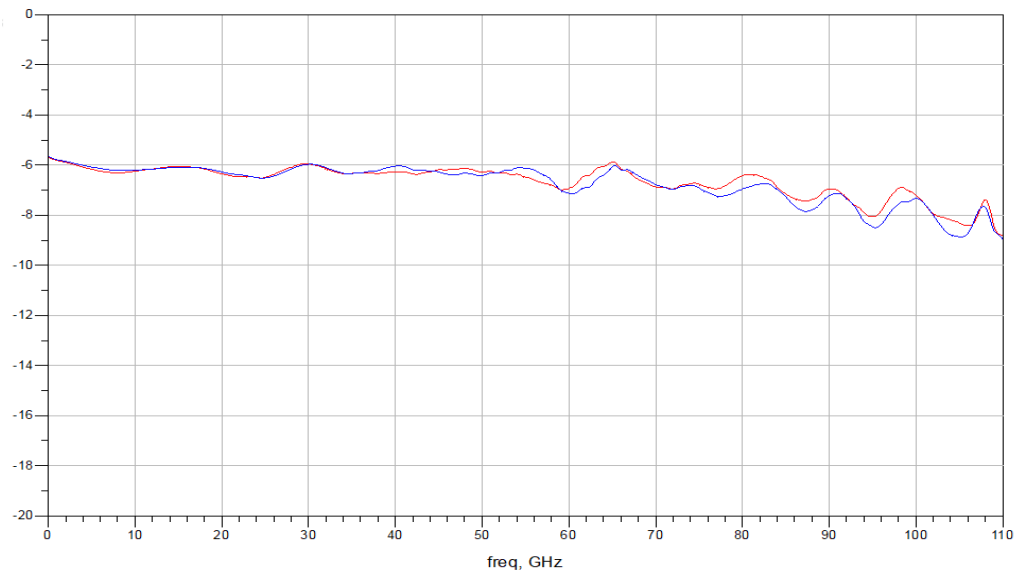


Figure 1: HL9479 Insertion Loss

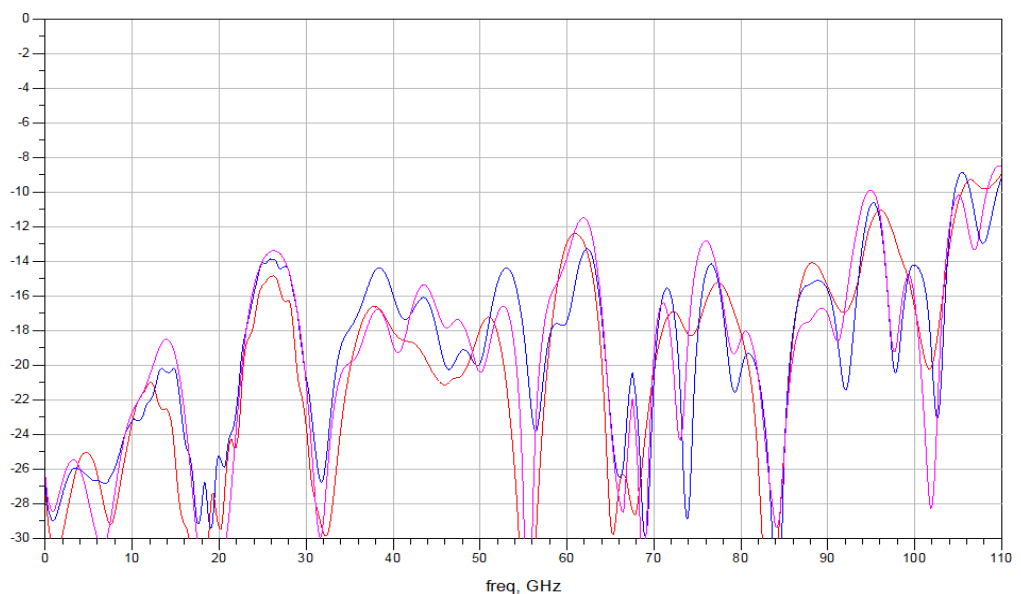


Figure 2: HL9479 Return Loss



HL9479 Group Delay and Phase Match

Figure 3 shows the typical group delay of an HL9479. The average slope of the phase mismatch, shown in Figure 4, is equal to the group delay mismatch. Other models show similar performance within respective specified bandwidths.

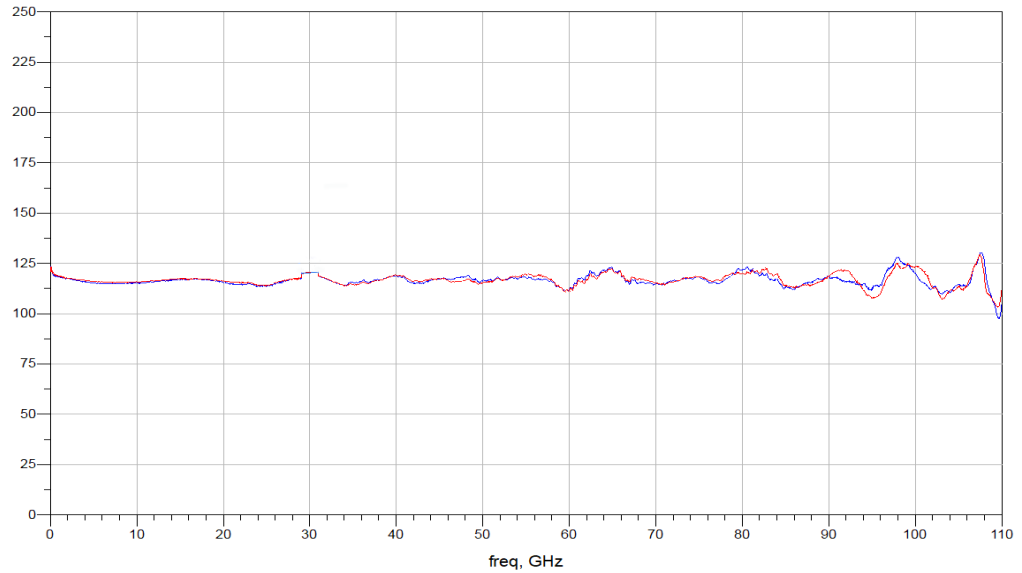


Figure 3: HL9479 Group Delay

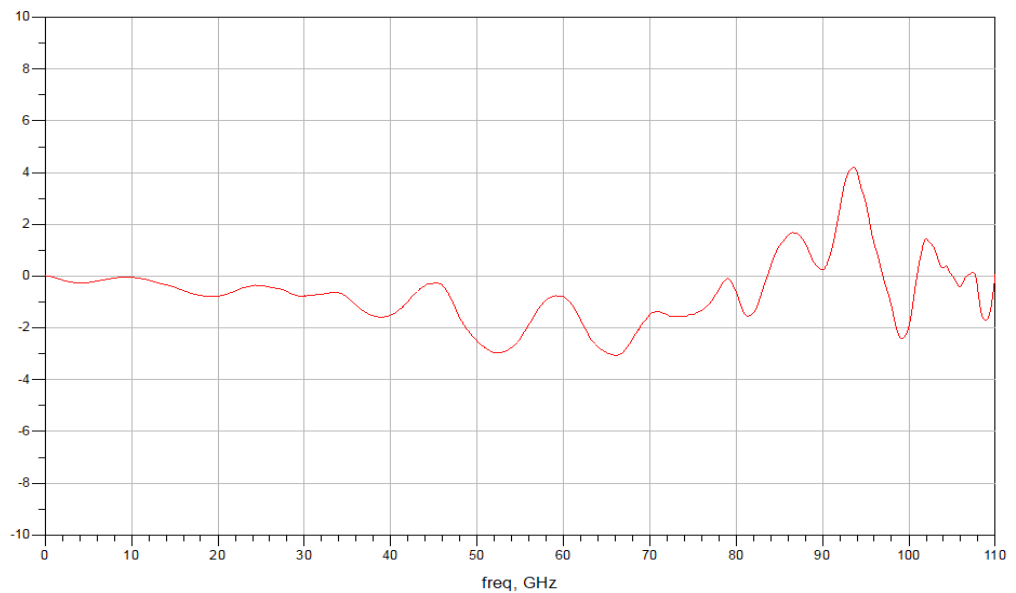


Figure 4: HL9479 Phase Mismatch

HL9479 Dimensional Drawing

Figure 5 shows a mechanical drawing of an HL9479. Unless otherwise noted, all units are shown in inches. Other models vary in length and width based on connectors.

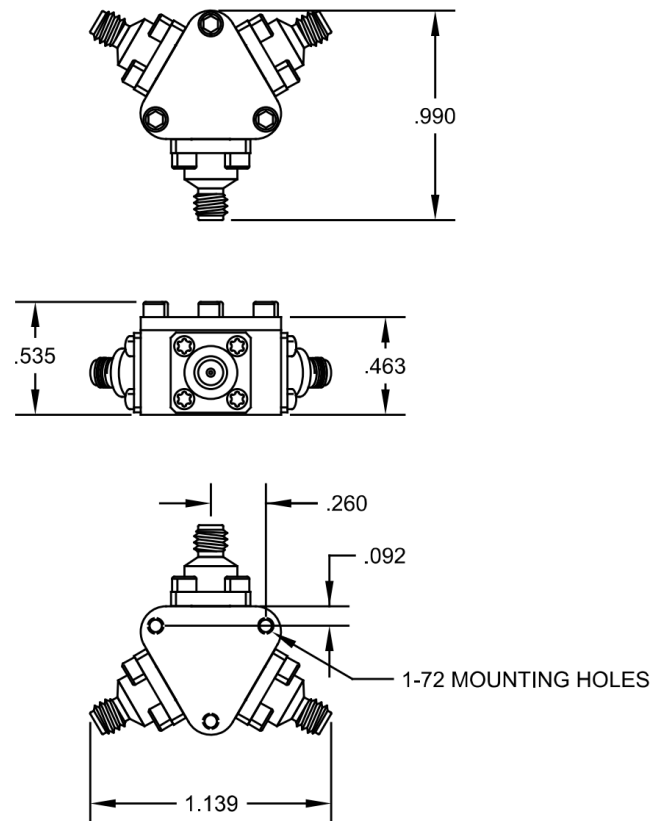


Figure 5: HL9479 Mechanical Drawing